

**MICRO SWITCH**FREEPORT, ILLINOIS, U.S.A.
A DIVISION OF HONEYWELL

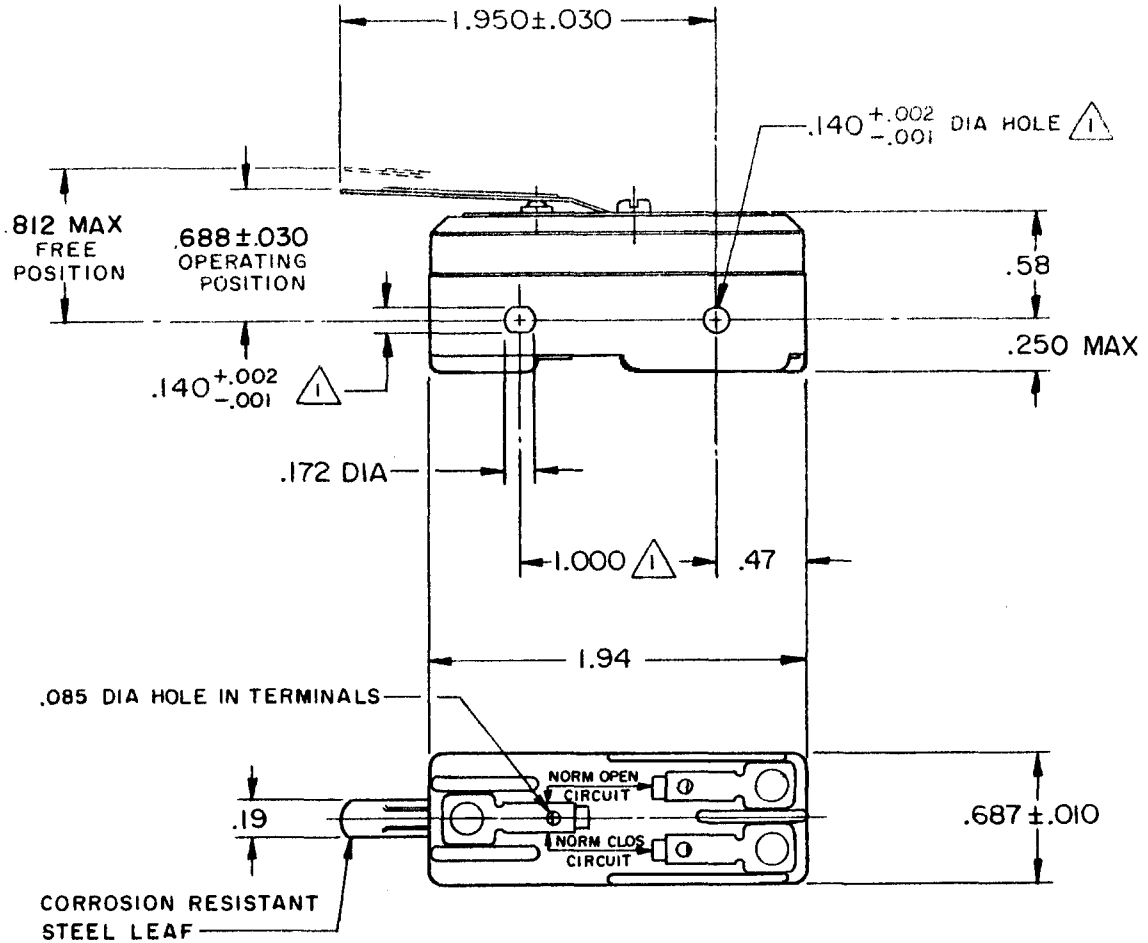
FED. MFG. CODE 91929

SWITCH - BASIC

CATALOG LISTING

BZ-2RL

DRAWING NUMBER **BZ-2RL** PAGE 1 OF 1
 ISSUE **M** 12
 REVISIONS
 A CO17410 G C H 20 JUNE 63
 B CO46304 J A P 12 OCT 79
 C CO 58037 S M A 1 OCT 85
 D CO-78874 D L T 18 NOV 94
 E CO93346 D L T 9 SEP 98
 F CO-94212-J J J A 5 OCT 99
 FORMTEK FO-90378
 DRAWN G C H 20 JUNE 63
 CHECK L S D 21 JUN 63
 RELEASE NO. CHECK
 REPLACES



NOTE
 MOUNTING HOLES WILL ACCEPT PINS OR SCREWS
 OF $.139$ MAX DIA ON $1.000 \pm .002$ CENTERS

THIS DRAWING COVERS A PROPRIETARY ITEM AND IS THE PROPERTY OF MICRO SWITCH, A DIVISION OF MINNEAPOLIS-HONEYWELL REGULATOR CO. THIS DRAWING IS NOT TO BE COPIED OR USED WITHOUT THE APPROVAL OF MICRO SWITCH.

CHARACTERISTICS	
OPERATING FORCE	----- 5 OZ MAX
RELEASE FORCE	----- 1/2 OZ MIN
DIFFERENTIAL TRAVEL	----- .050 MAX
DO NOT OVERTRAVEL MORE THAN	----- .060

ELECTRICAL DATA	
CONTACT ARRANGEMENT S P D T	
UNDERWRITERS' LAB. INC. LISTED RATING	
-L96-	15 A-125, 250, OR 480 VAC 1/2 A-125 VDC; 1/4 A-250 VDC 1/8 HP-125 VAC, 1/4 HP-250 VAC
-L288-	
-L299-	
-L306-	
16A 250V T85 5E4	

SCALE FULL	
DO NOT SCALE PRINT	
UNLESS OTHERWISE NOTED DIMENSIONS ARE IN INCHES	
TOLERANCES ARE:	
ONE PLACE	(.0) $\pm .030$
TWO PLACE	(.00) $\pm .015$
THREE PLACE	(.000) $\pm .005$
ANGLES	\pm
WEIGHT	.050 LB